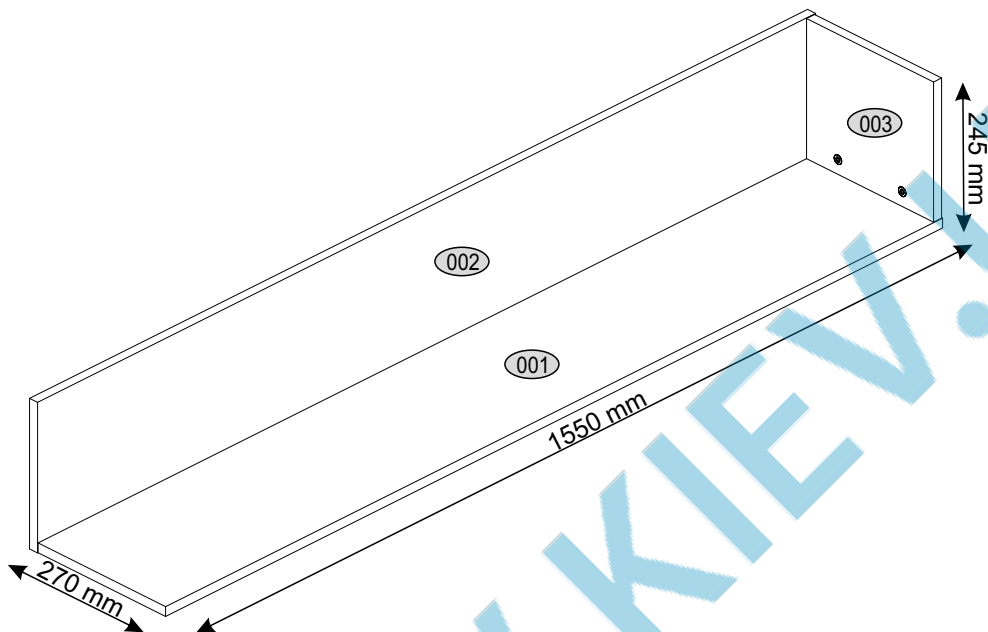
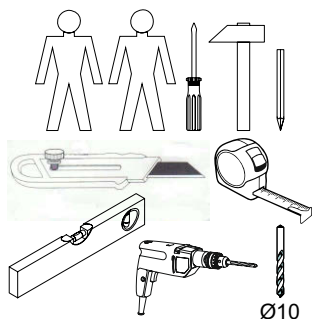
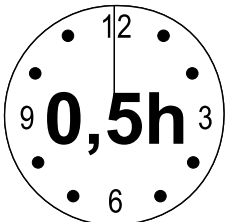


Installation manual

Shelf 155



Code	Dimensions				Package
001	1548	254	16	1	1/1
002	1550	245	16	1	1/1
003	228	253	16	1	1/1
accessories					1/1

x8
e1

Ø 7x50mm



x8
f1

Ø 8x30mm



x2
s2



x3
g2



x2
r16



x6
e19

Ø6x9 mm



x2
r1



x3
e2

Ø6.3x13 mm



x1
z1



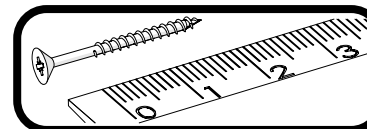
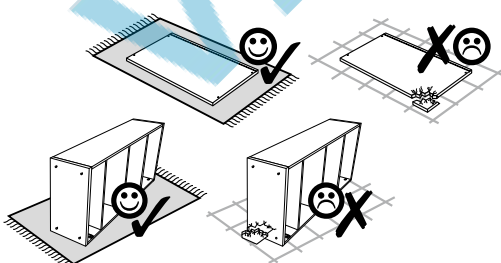
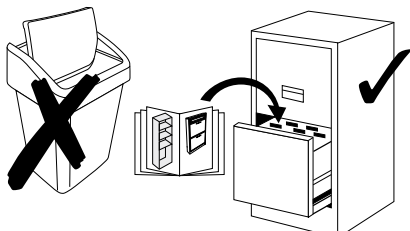
x3
f3

Ø10x50 mm

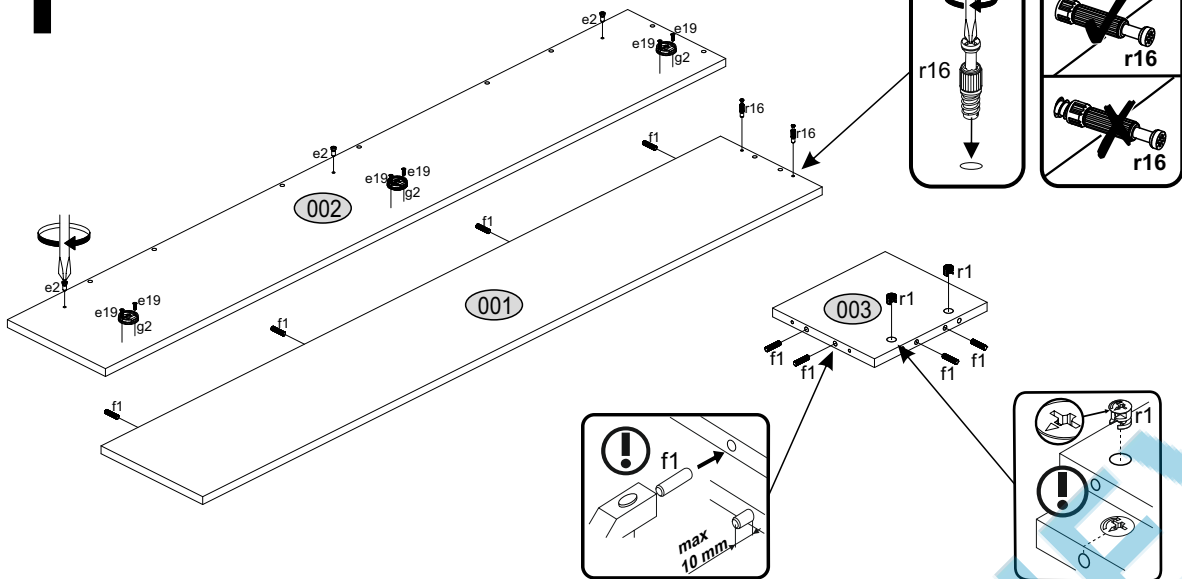


x3
p17

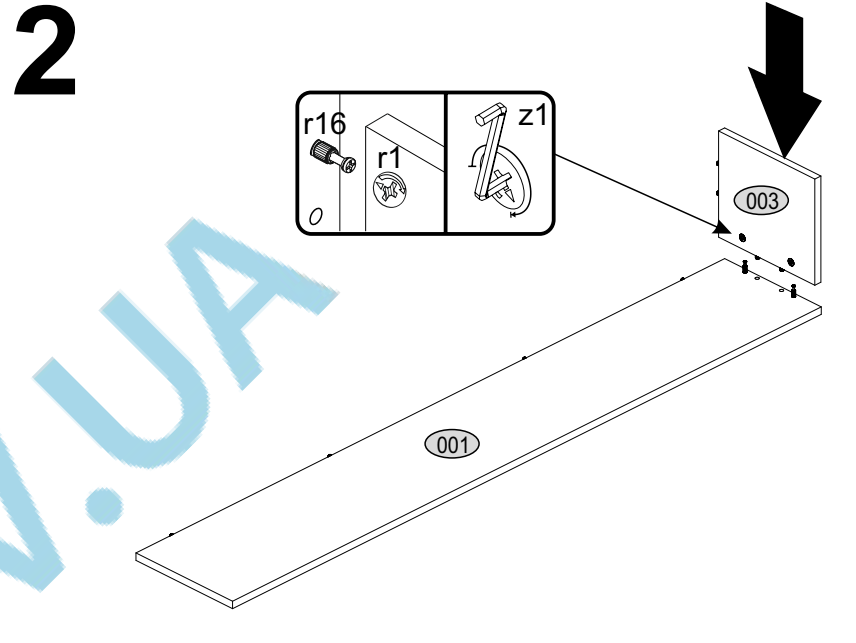
Ø 5x60 mm



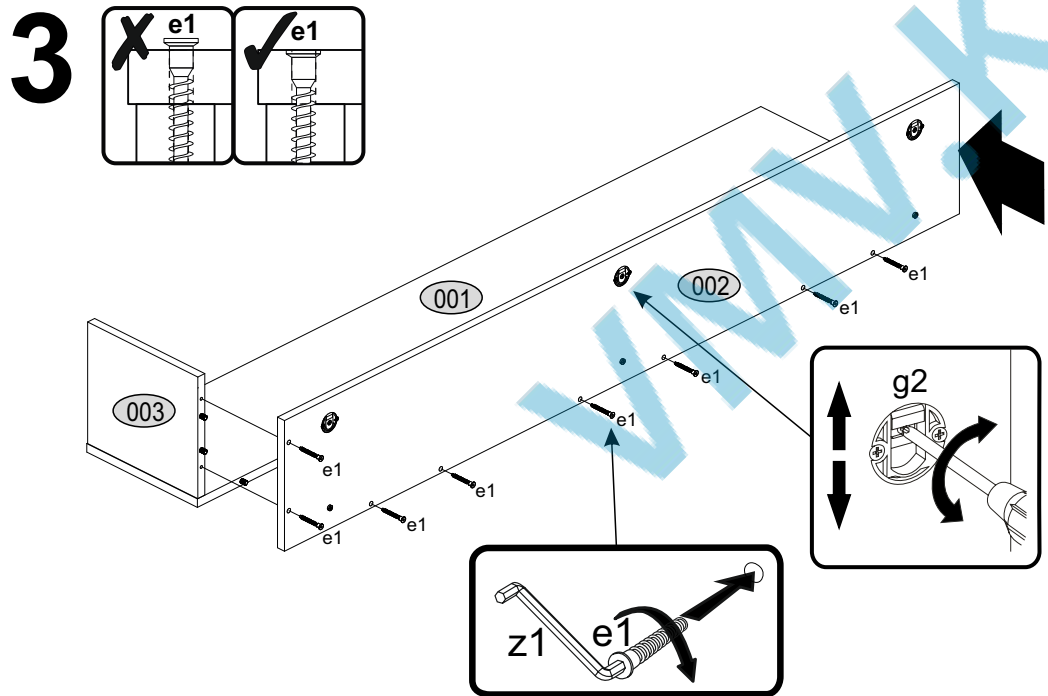
1



2



3



4

